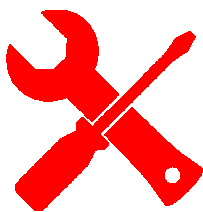
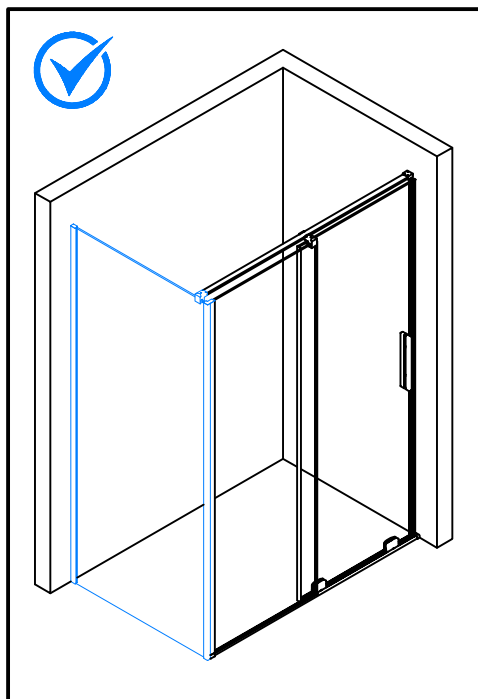
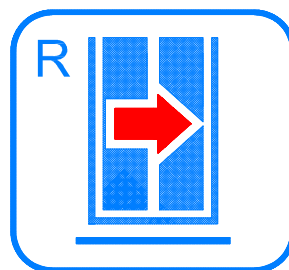
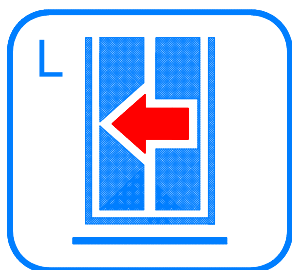


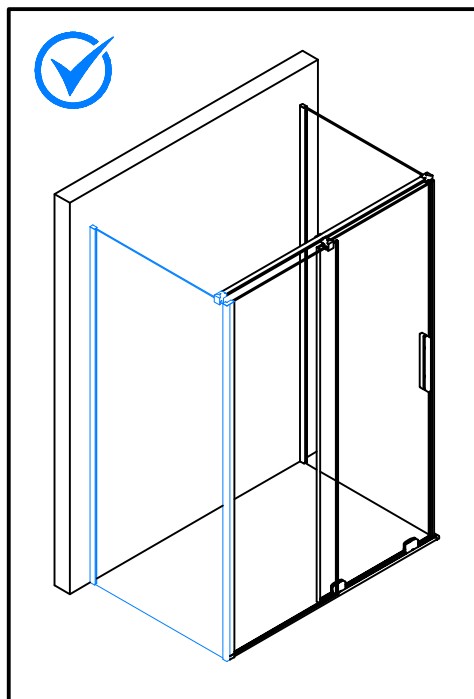
19821



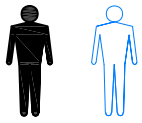
D35F3 - ACD35F3



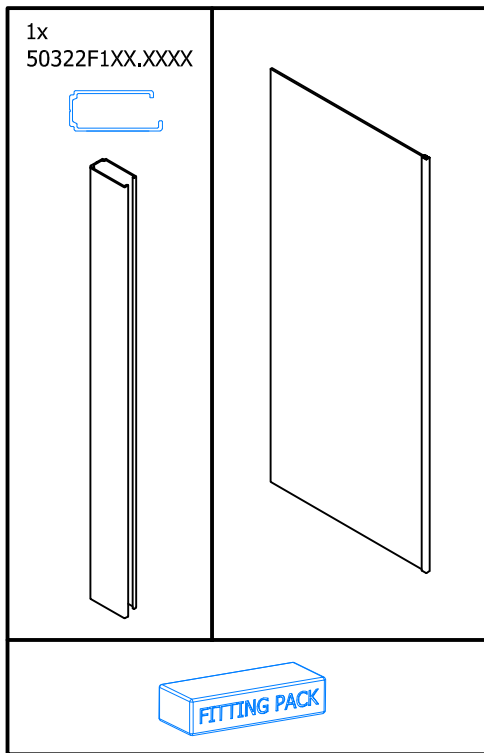
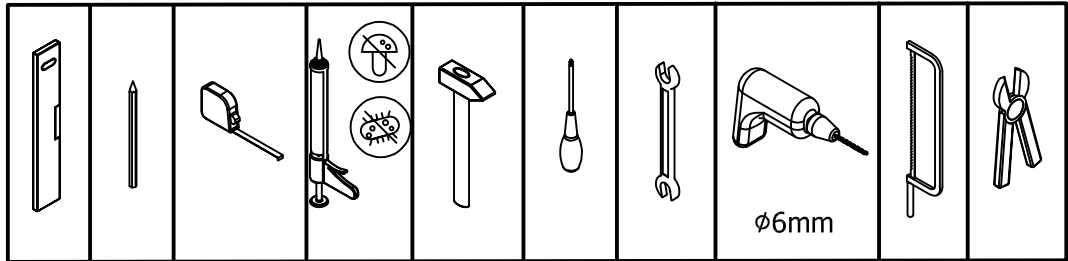
P3. → P11.



P12. → P19.

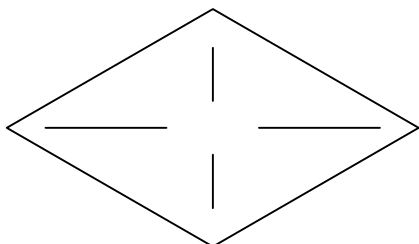
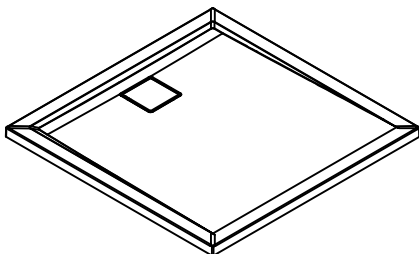
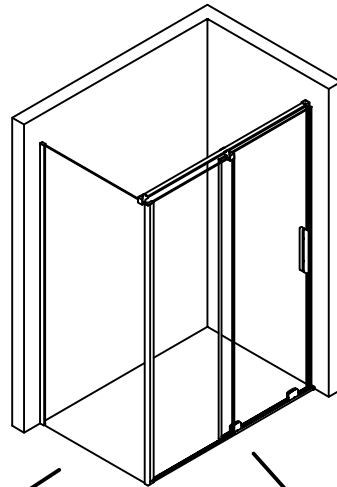
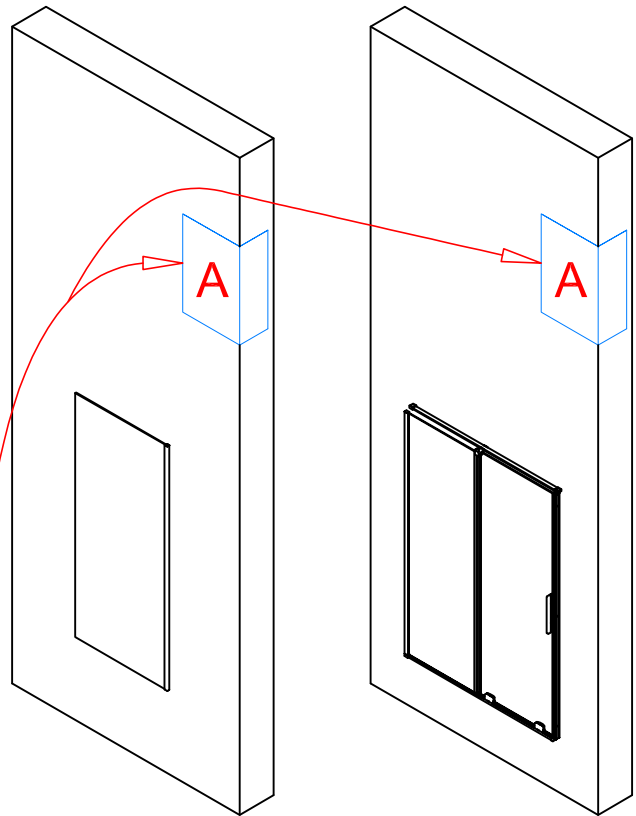
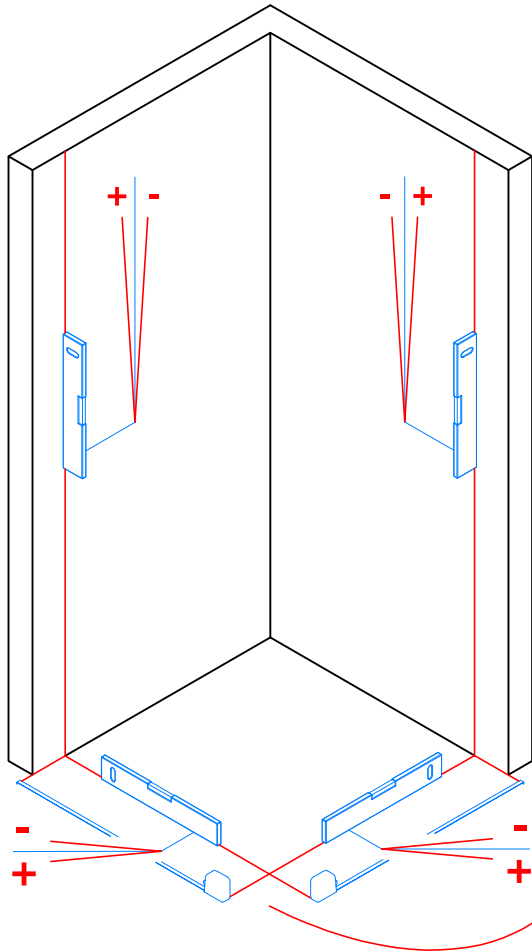


1x



	1x 81190.XX	1x 81191.XX	1x 81552.XX	1x 81553.XX	1x 51209
	3x 14374 4.2 x 9.5mm	3x 14295 4.2 x 32mm	3x 16000 Ø 6mm	1x MT0489.XX	1x 31107

1.

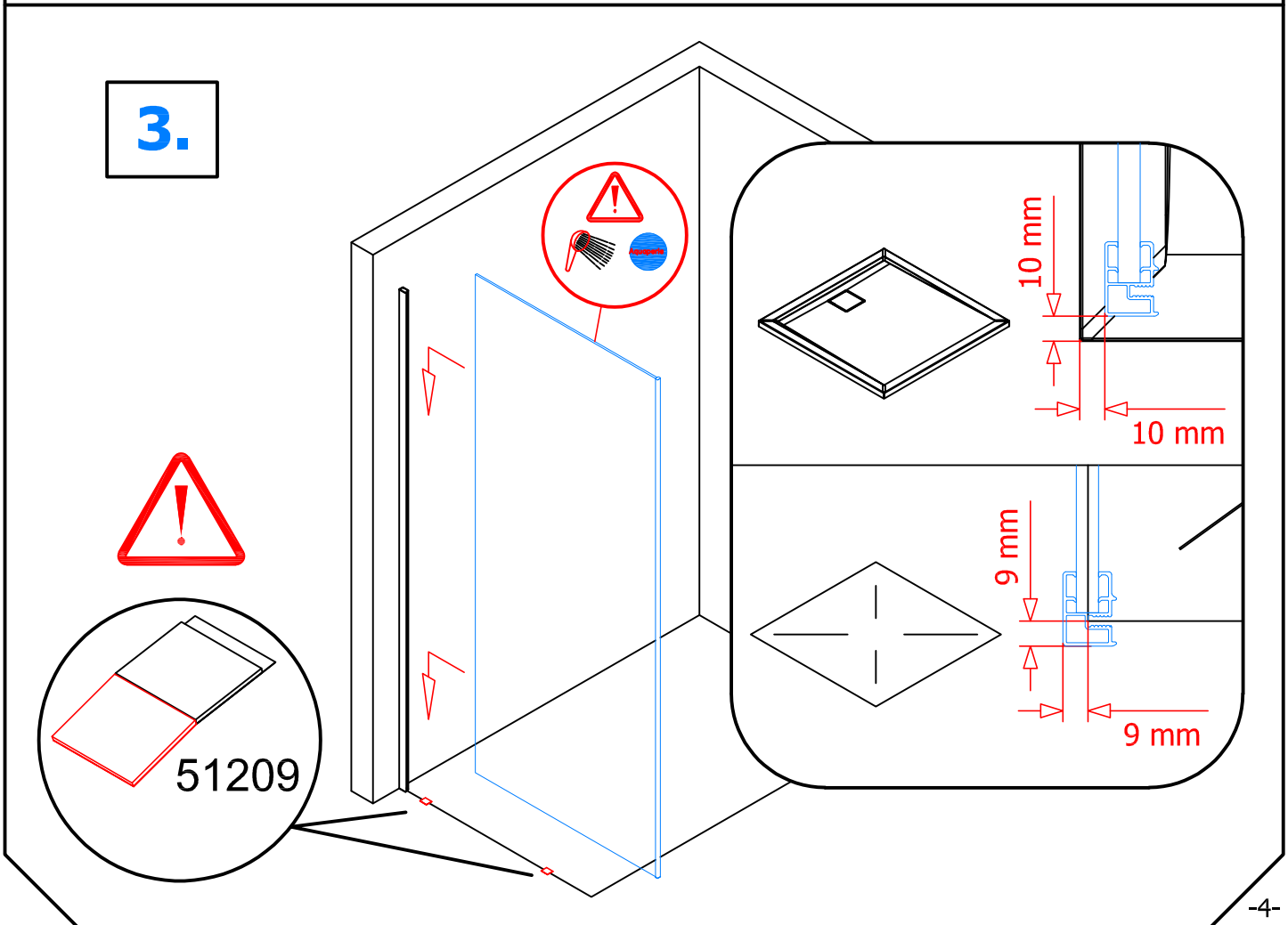
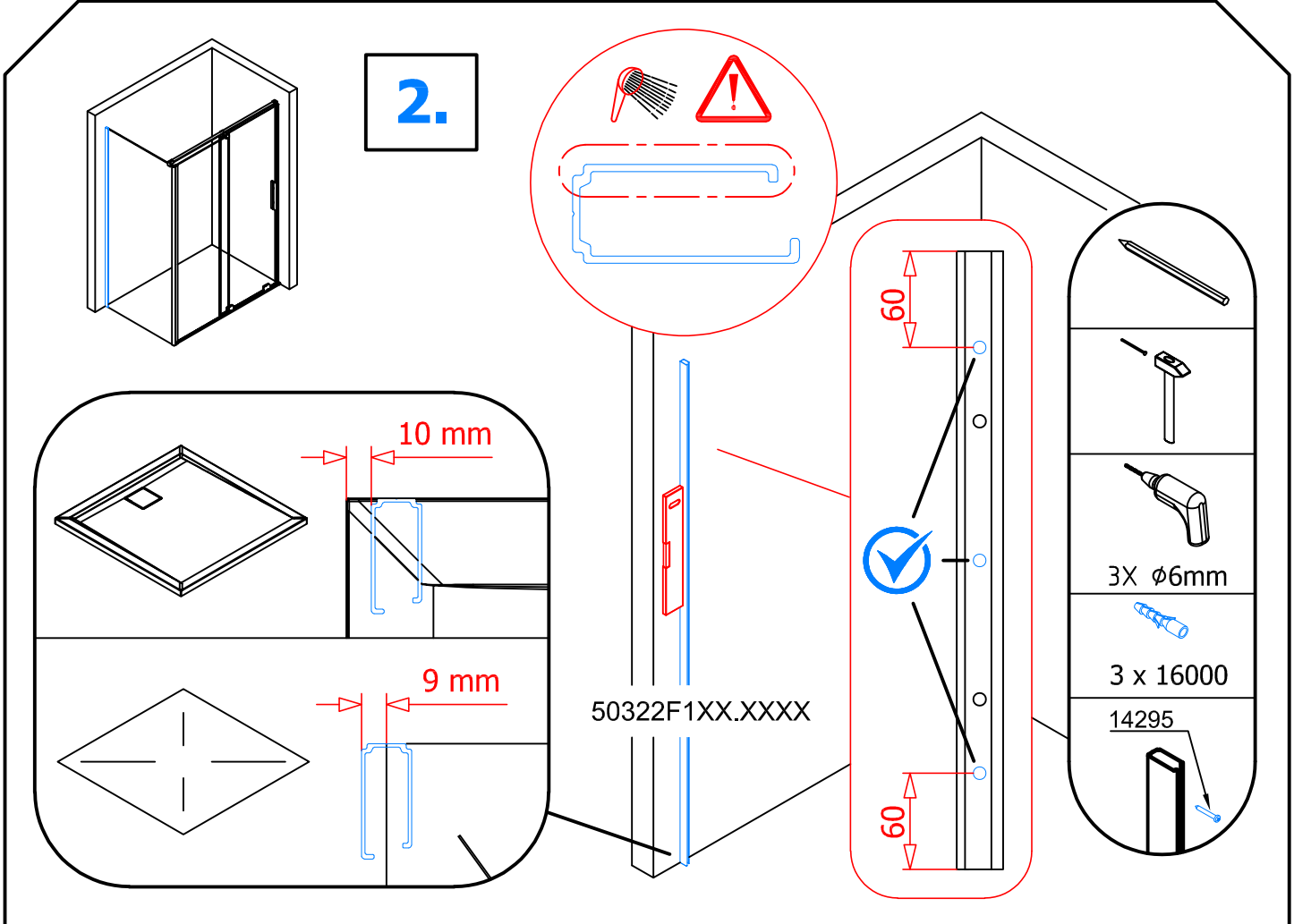


A	
STD	SM
-20 ; +5	-10 ; +15

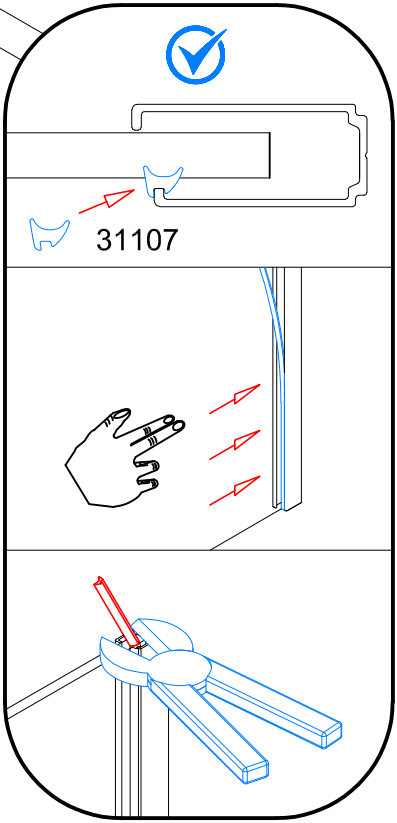
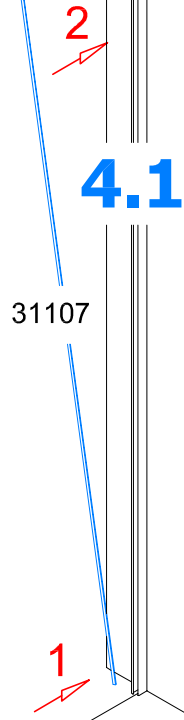
A	
STD	SM
-14 ; +42	-36 ; +20

A	
STD	SM
-39 ; -14	-10 ; +15

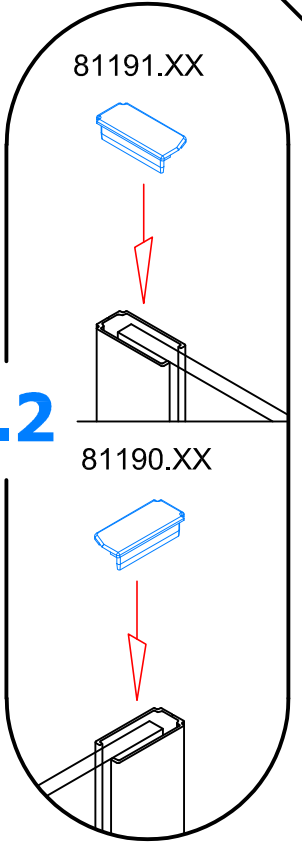
A	
STD	SM
-33 ; +23	-36 ; +20



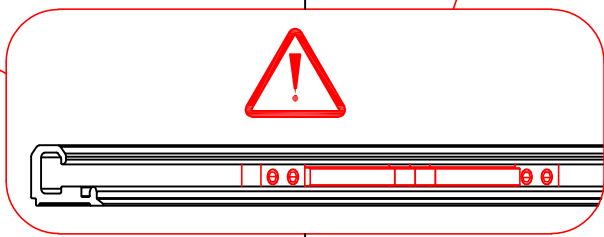
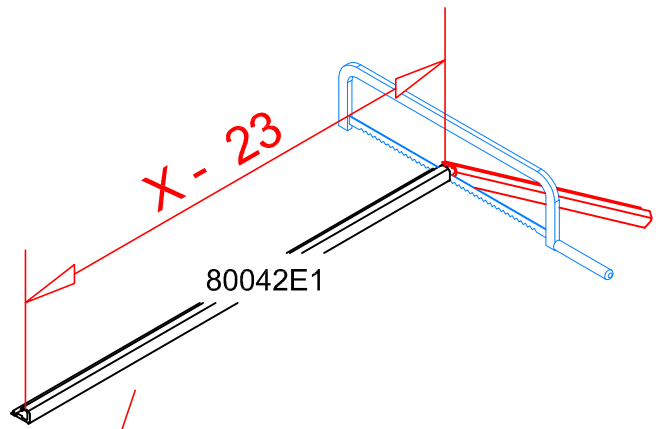
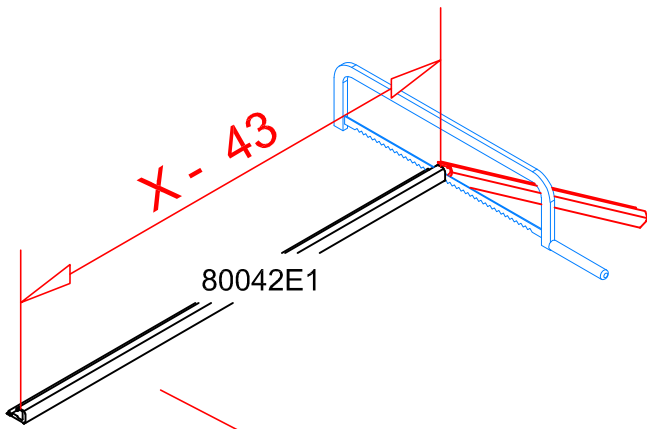
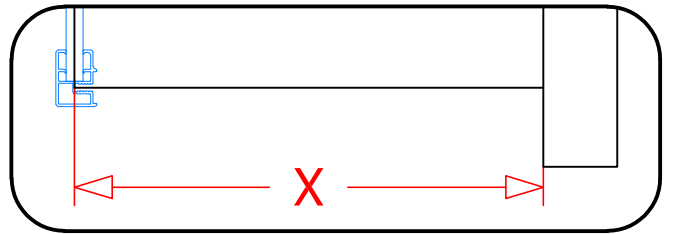
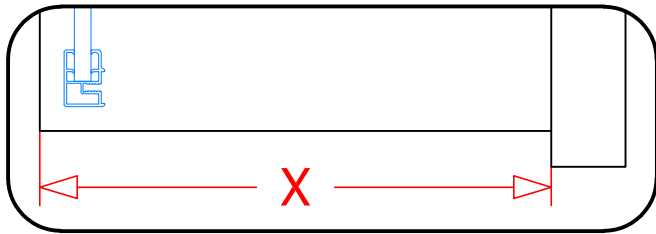
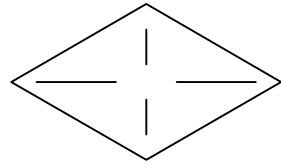
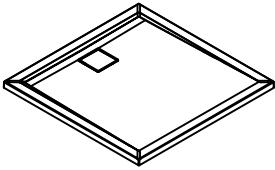
4.1 → 4.2



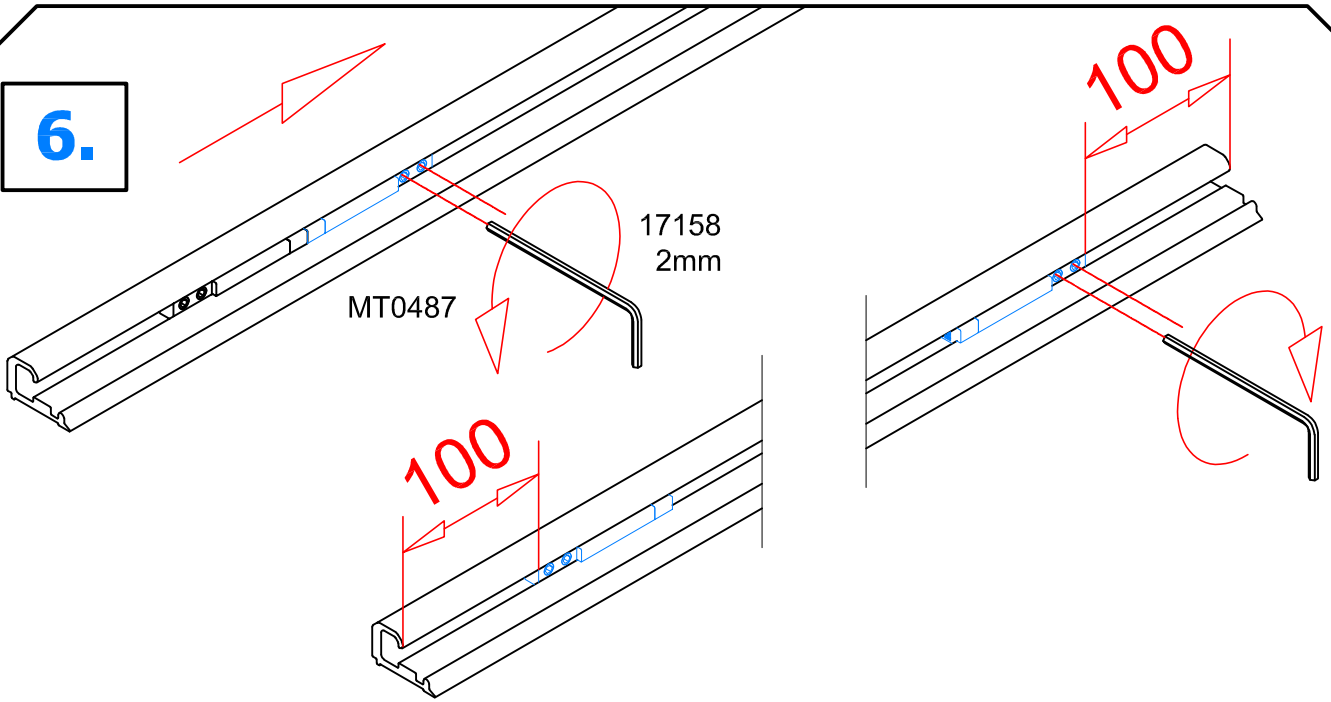
4.2



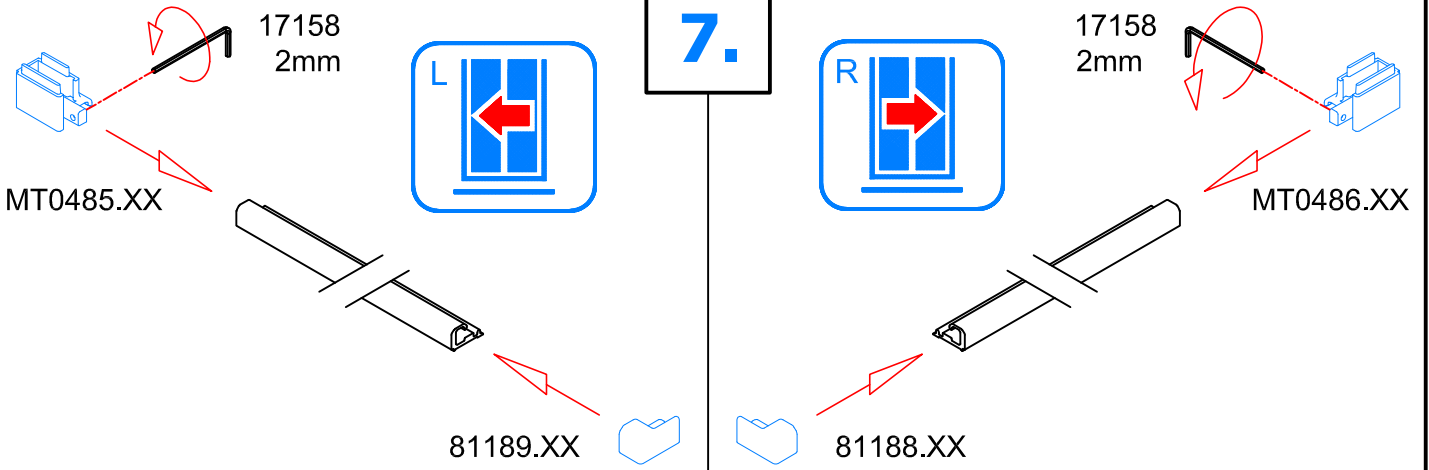
5.



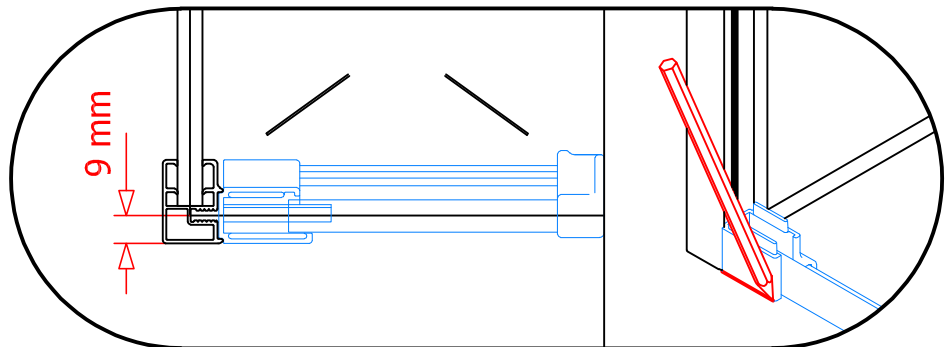
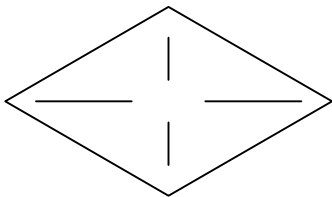
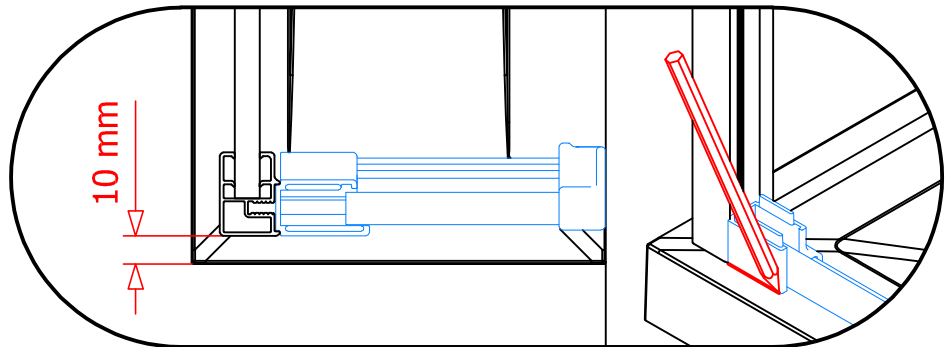
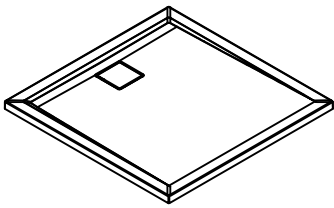
6.



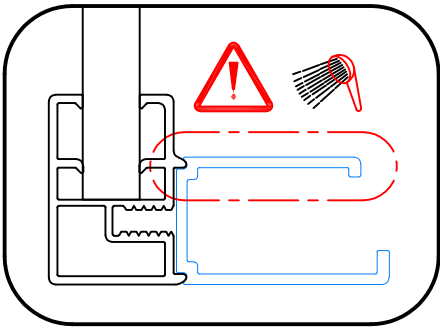
7.



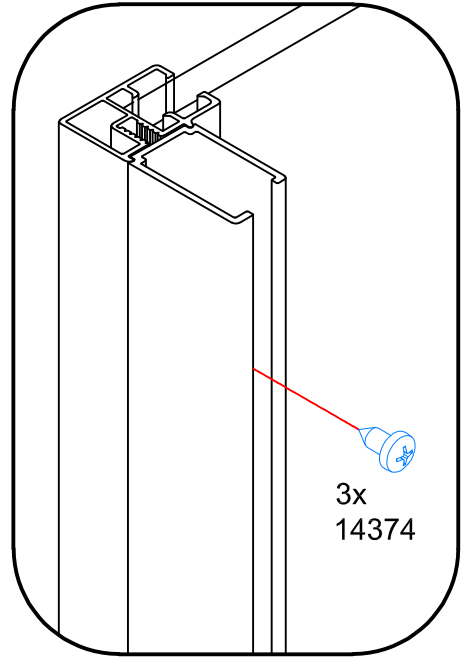
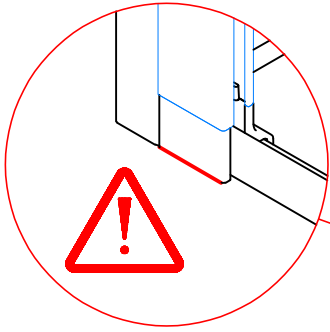
8.



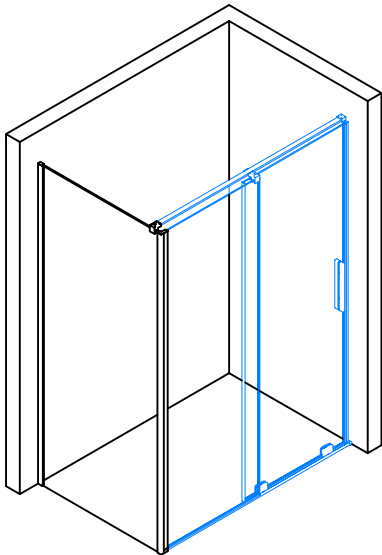
9.



80044F2



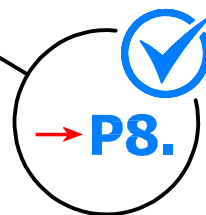
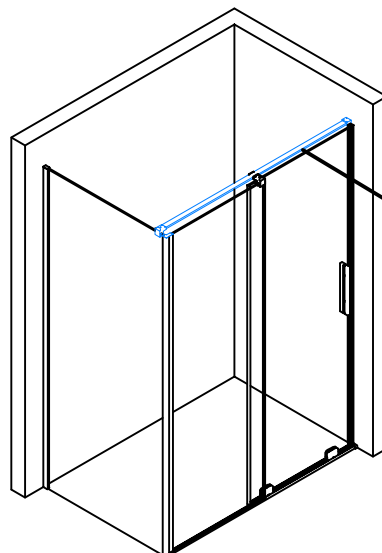
10.



19818

?

19832



11.1 → 11.4

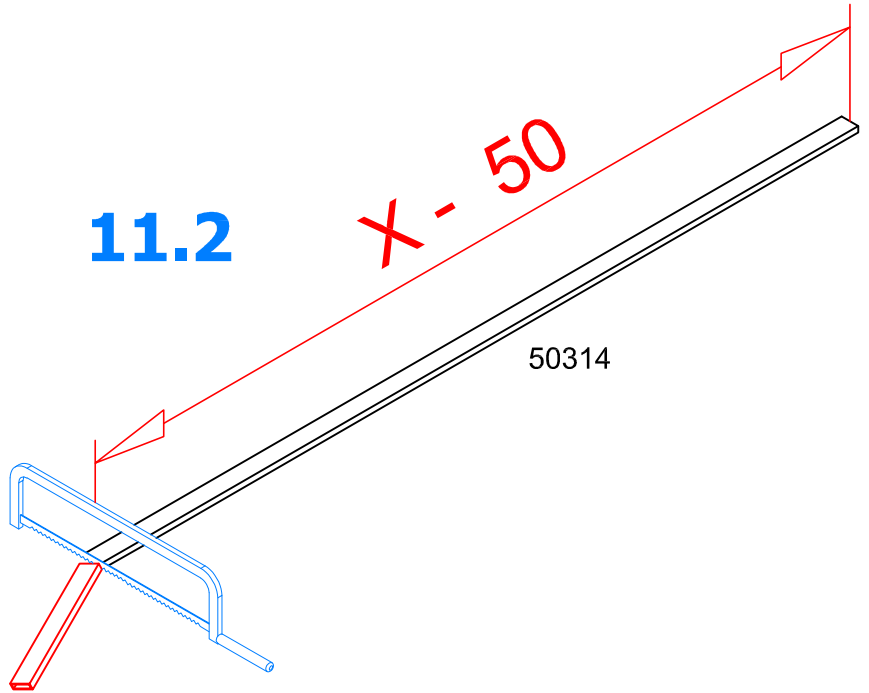
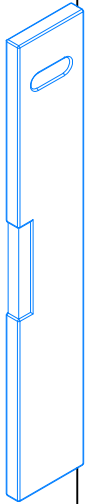
11.1

X

11.2

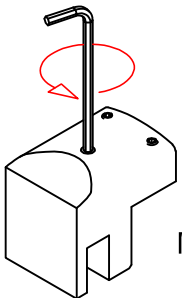
X - 50

50314



11.3

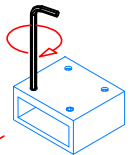
17159
3mm



MT0489.XX

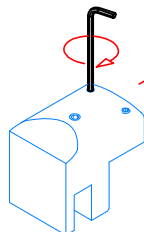
11.4

17158
2mm



MT0332.XX

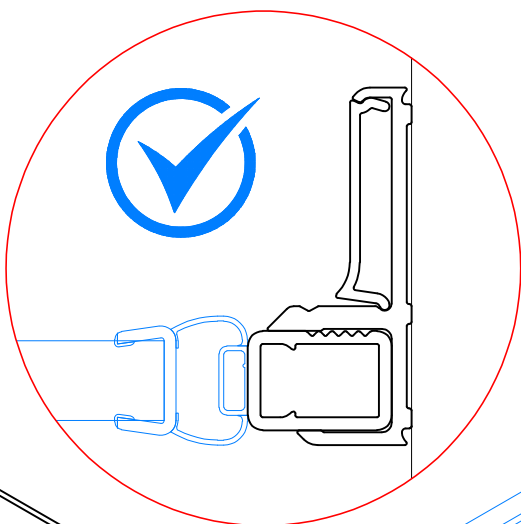
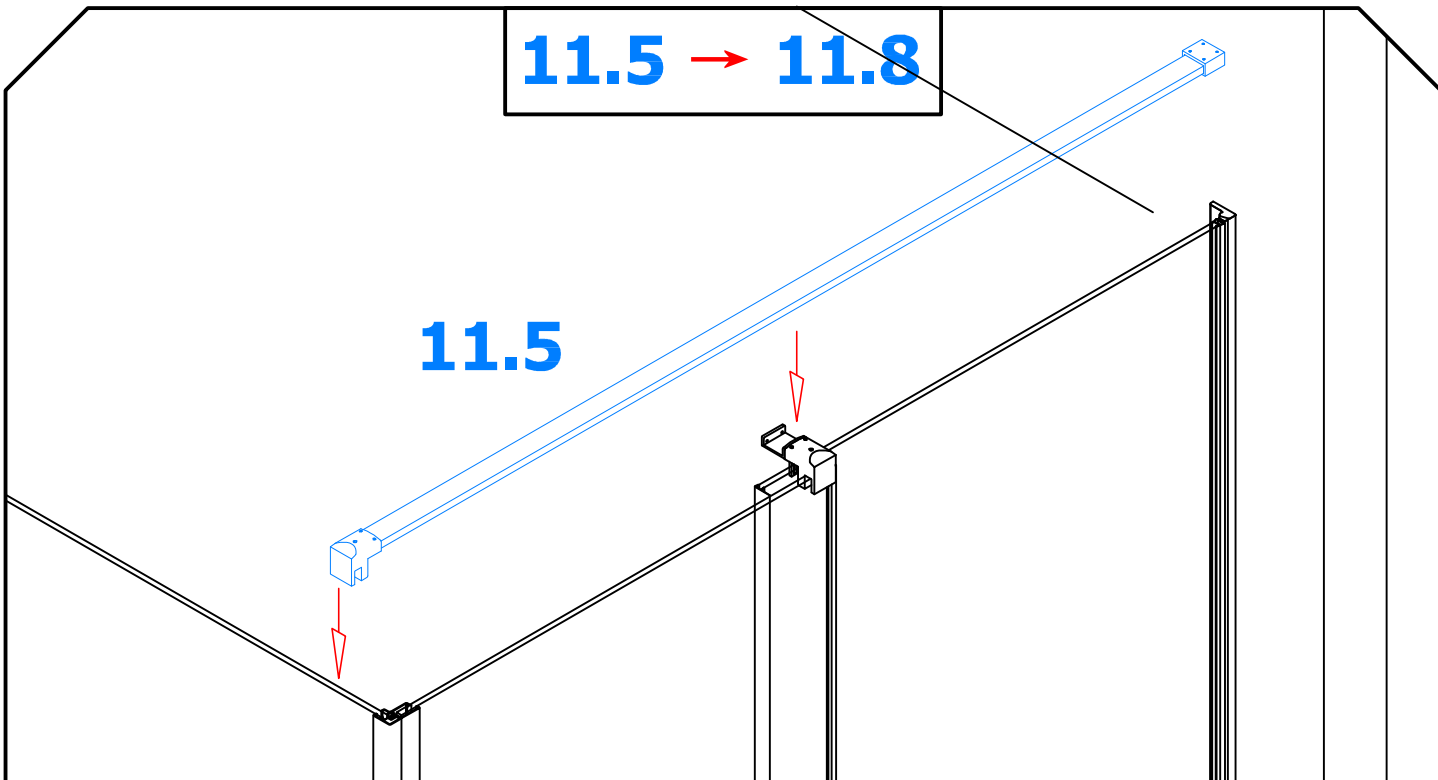
17158
2mm



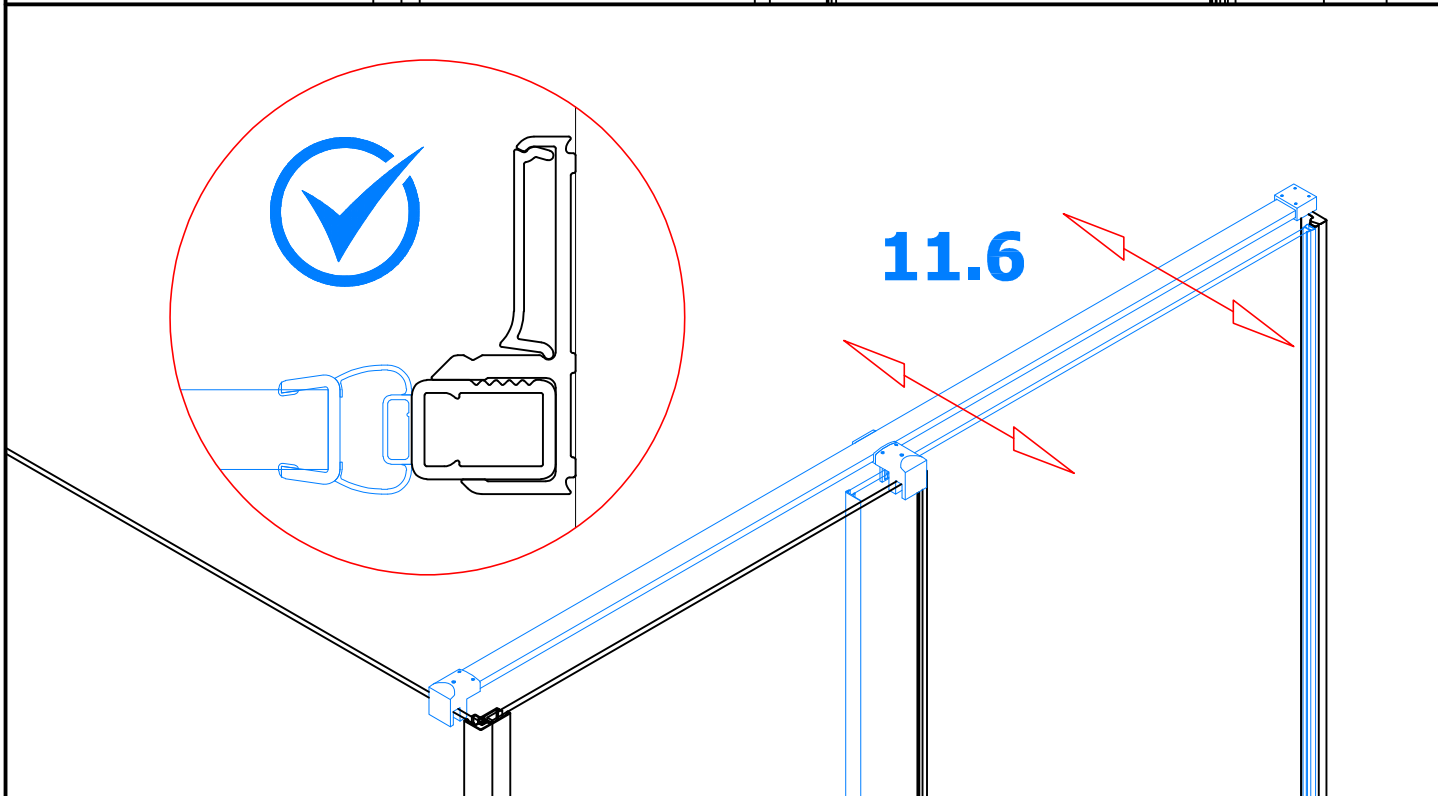
MT0489.XX

11.5 → 11.8

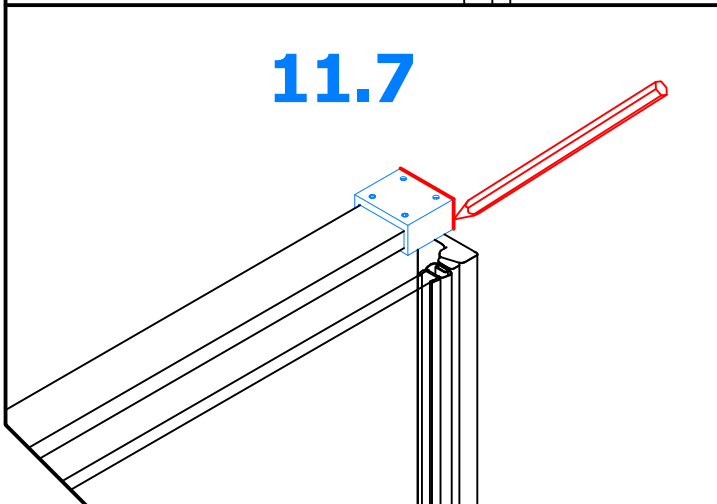
11.5



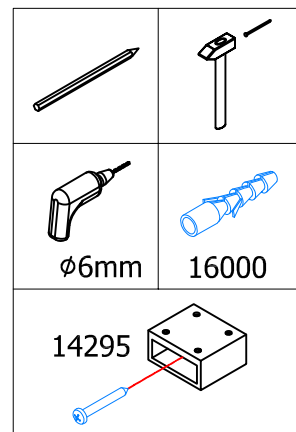
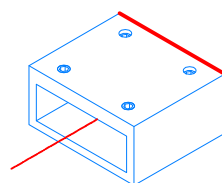
11.6



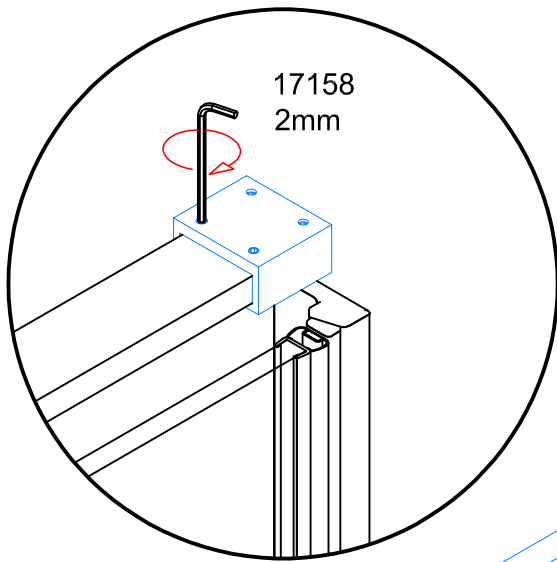
11.7



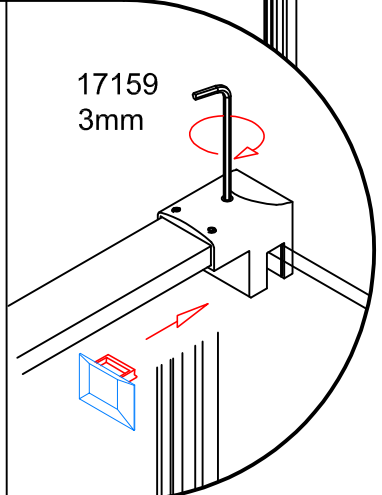
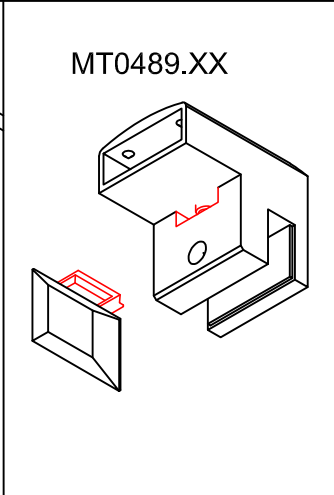
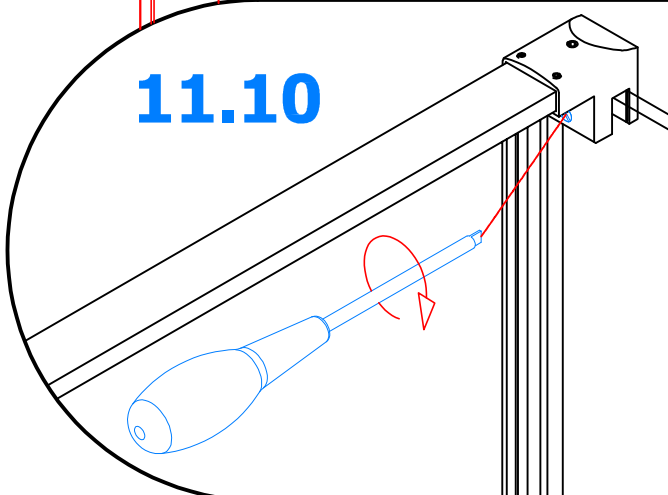
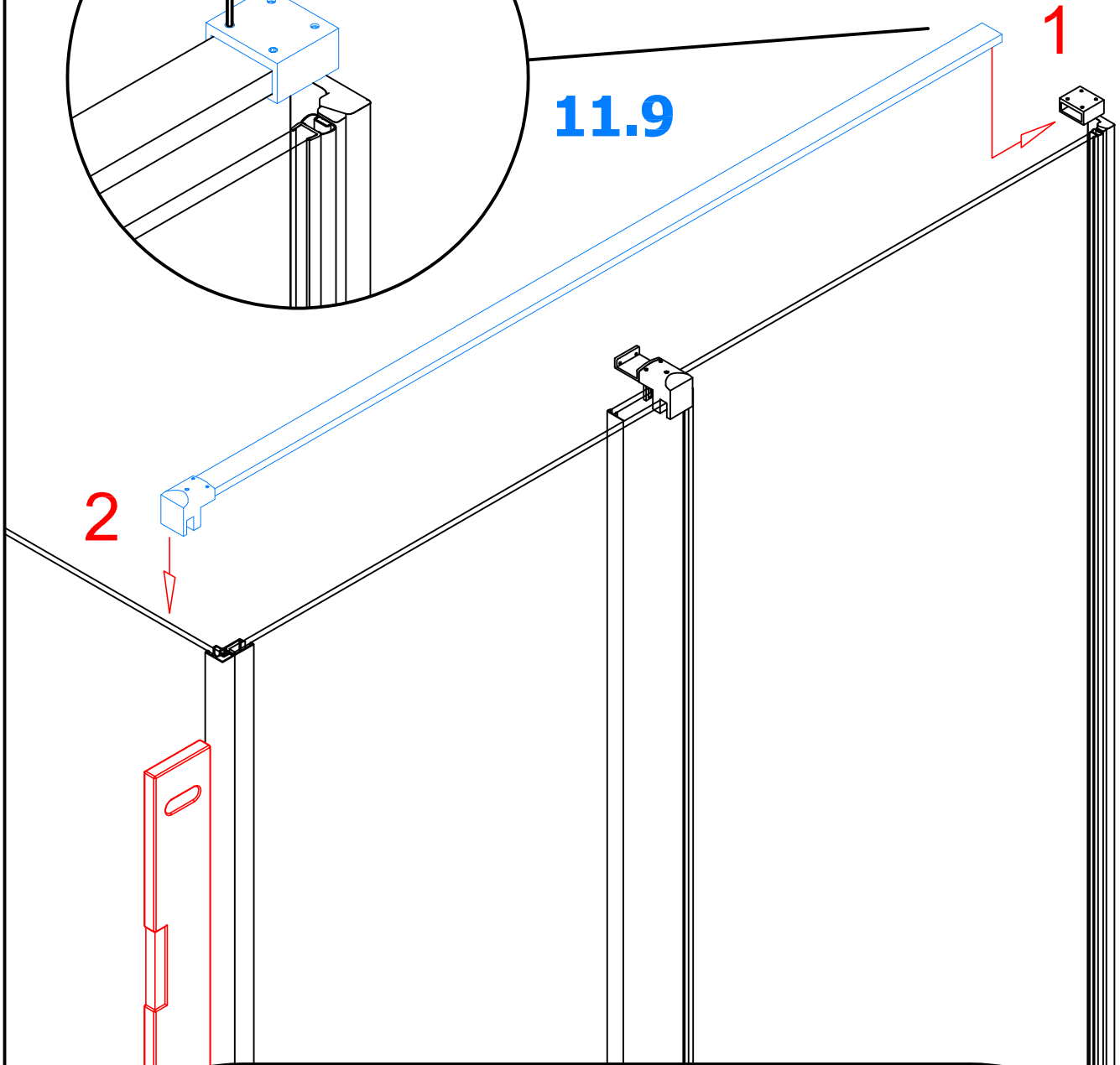
11.8



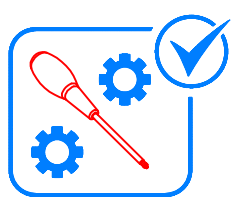
11.9 → 11.10



11.9



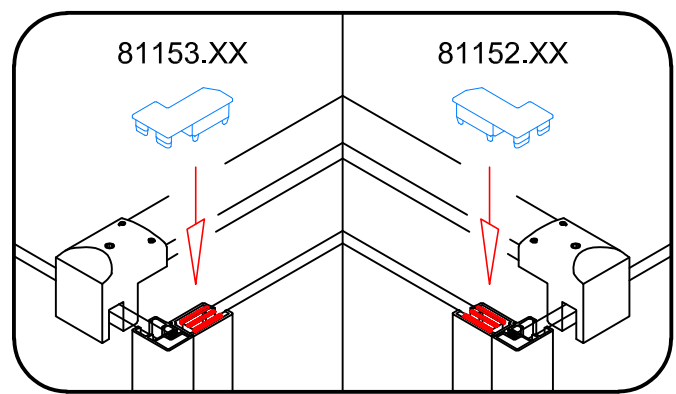
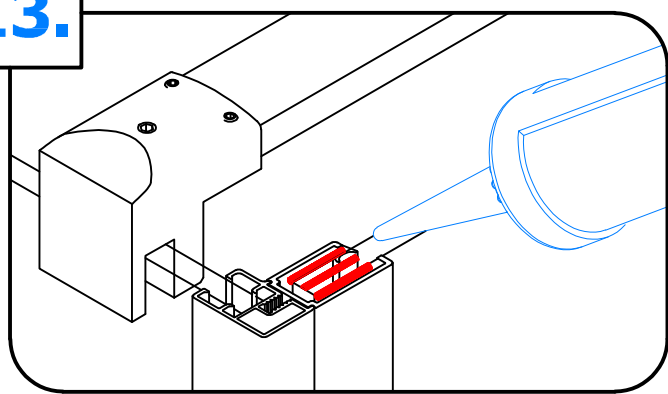
12.



19818
?
19832


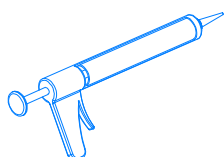
P13 → P16

13.

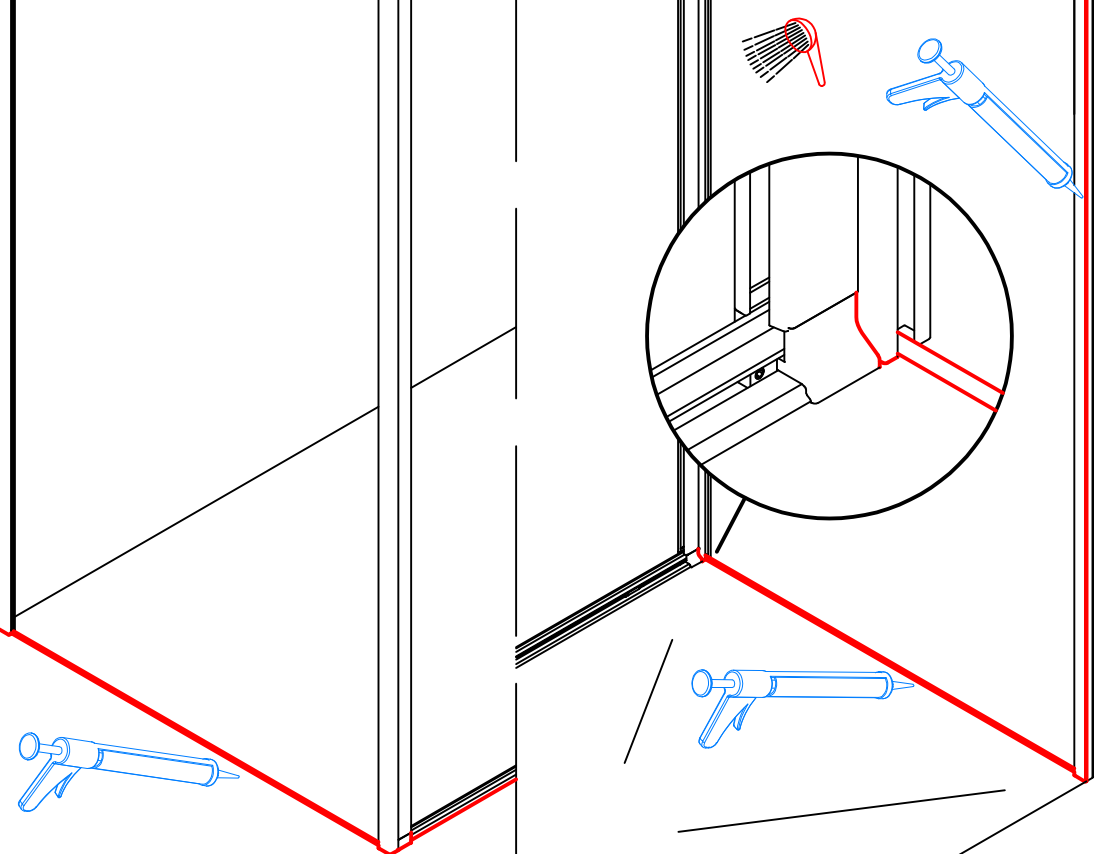


14.

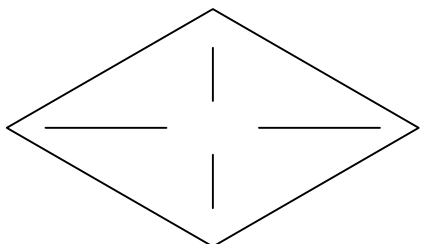
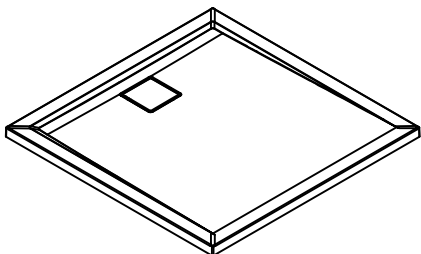
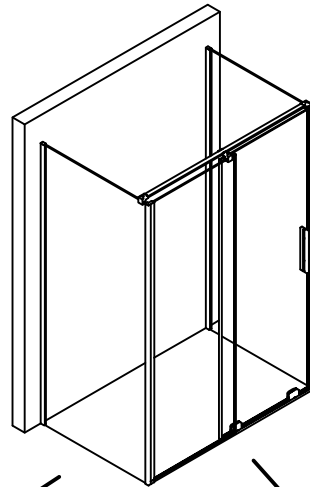
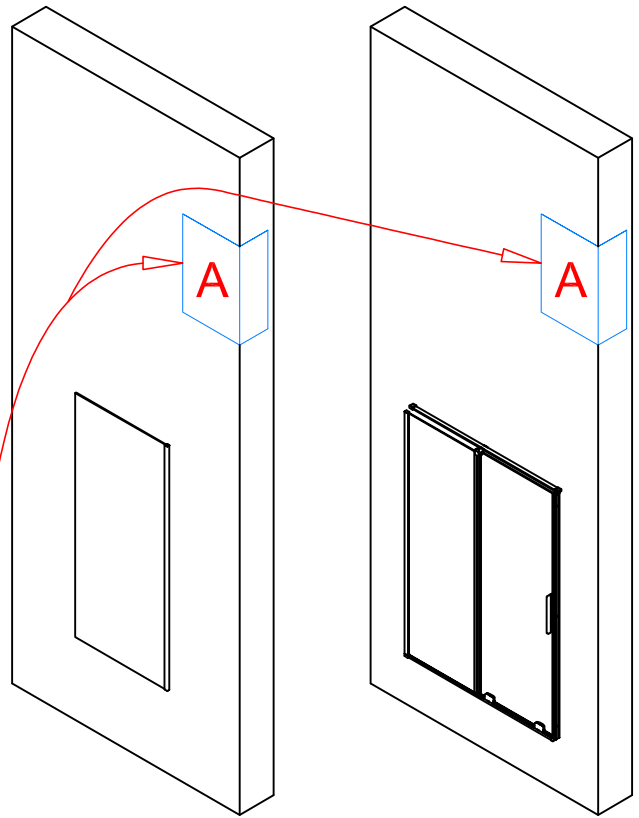
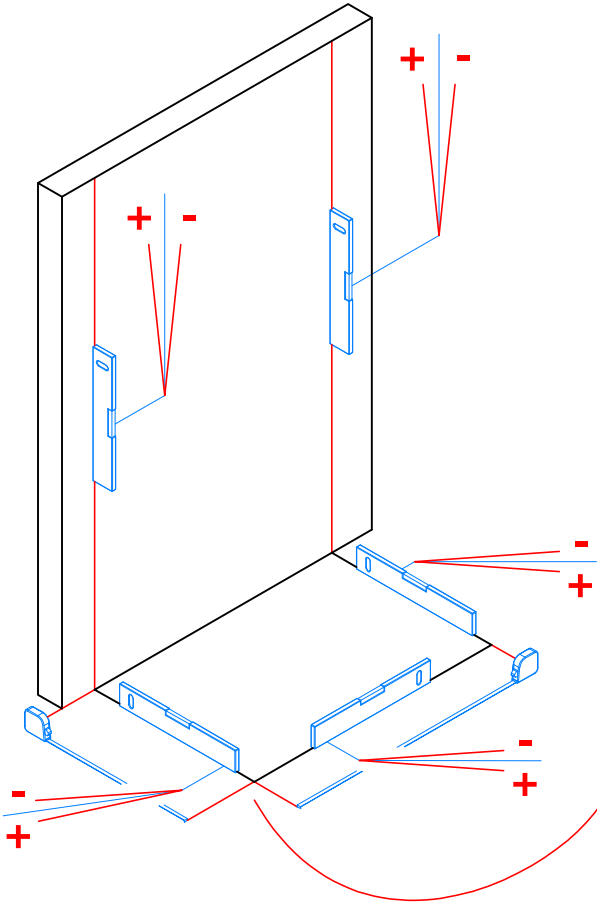
19818
?
19832


5cm



15.



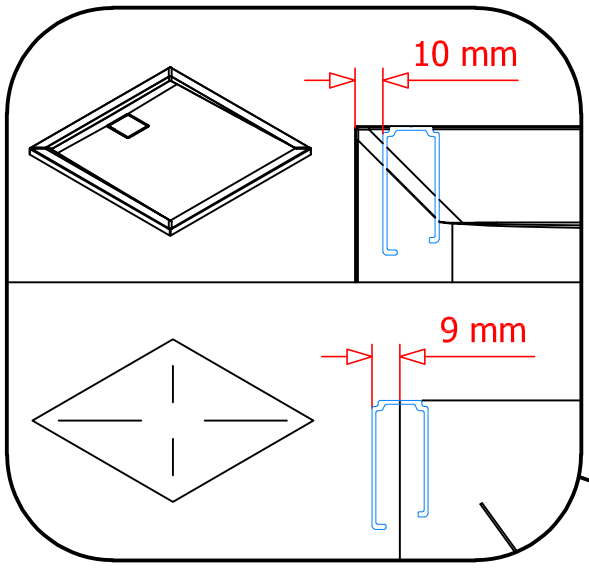
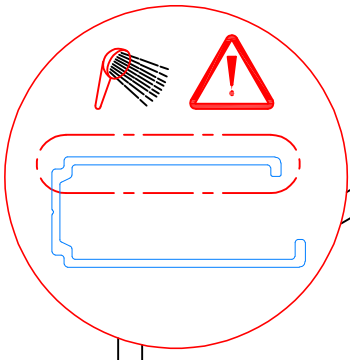
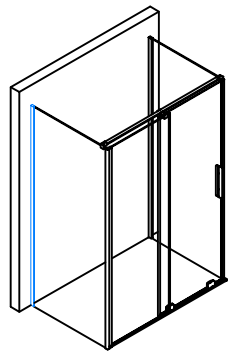
A	
STD	SM
-20 ; +5	-10 ; +15

A	
STD	SM
-10 ; +46	-41 ; +15

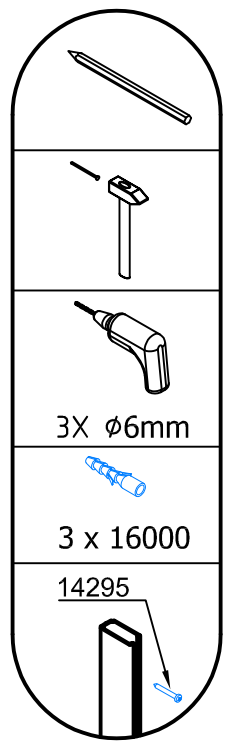
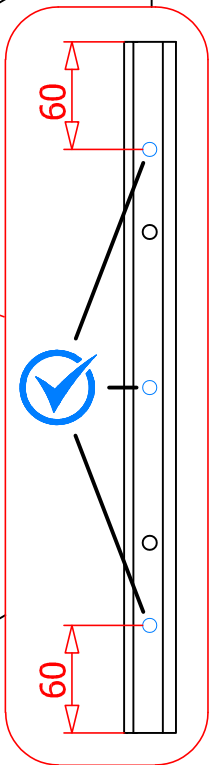
A	
STD	SM
-39 ; -14	-10 ; +15

A	
STD	SM
-41 ; +15	-41 ; +15

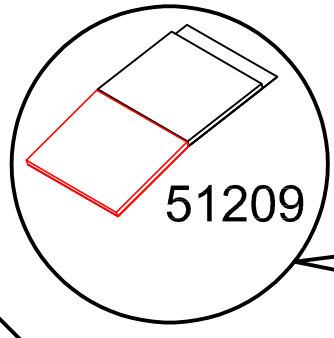
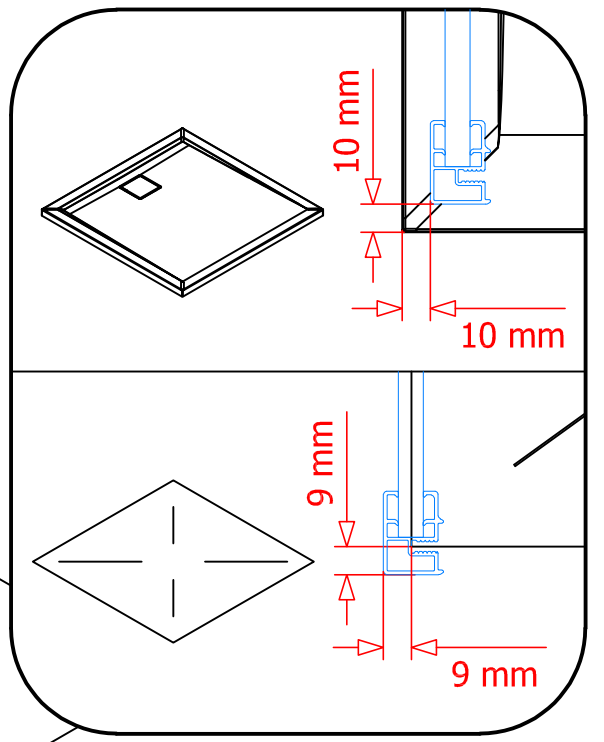
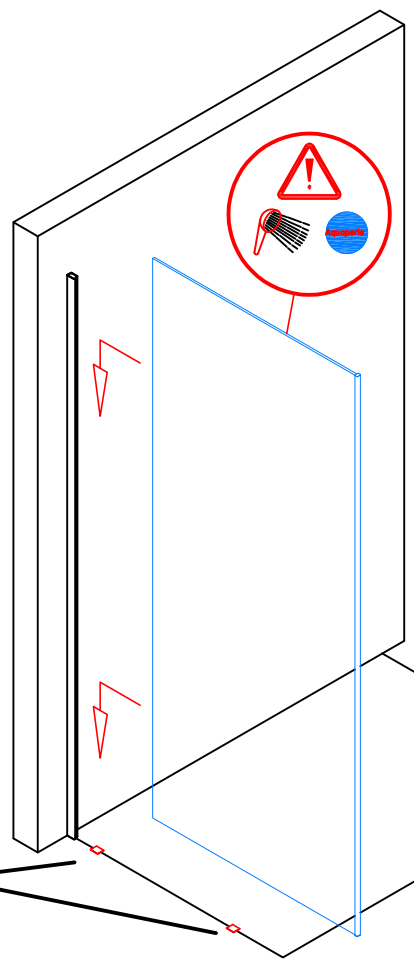
16.



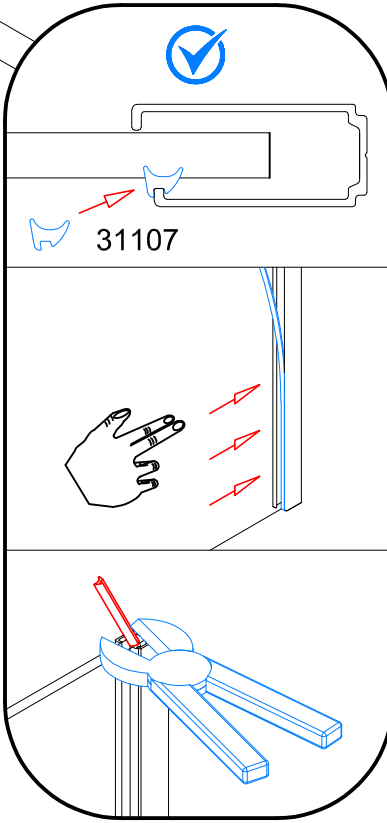
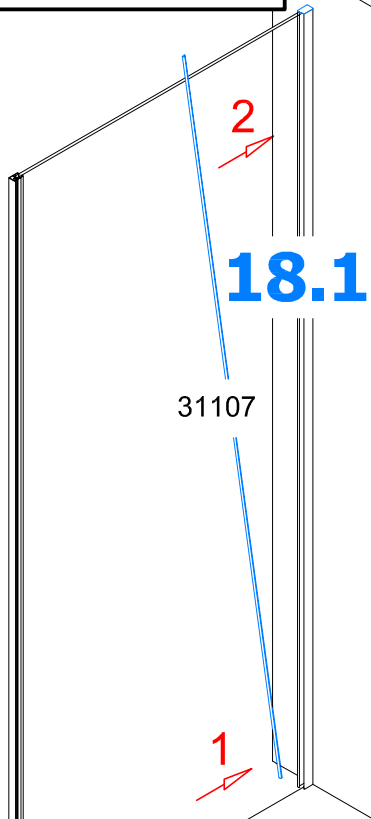
50322F1XX.XXXX



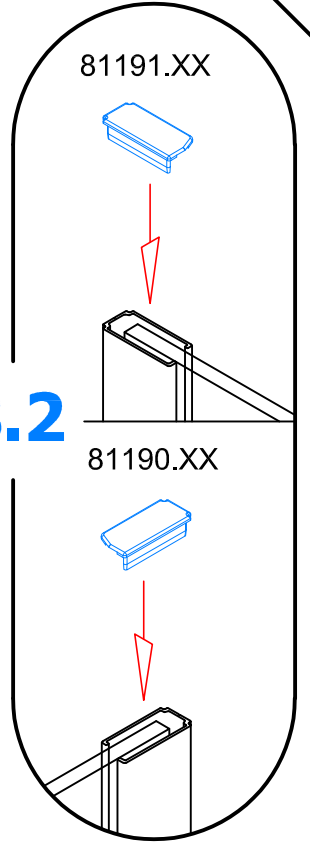
17.



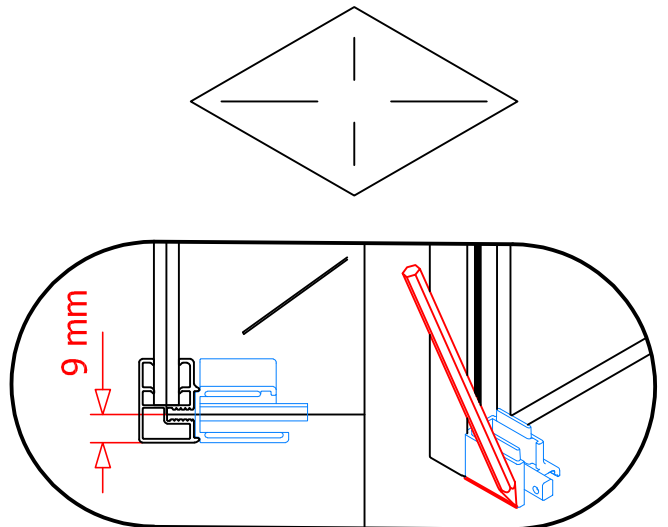
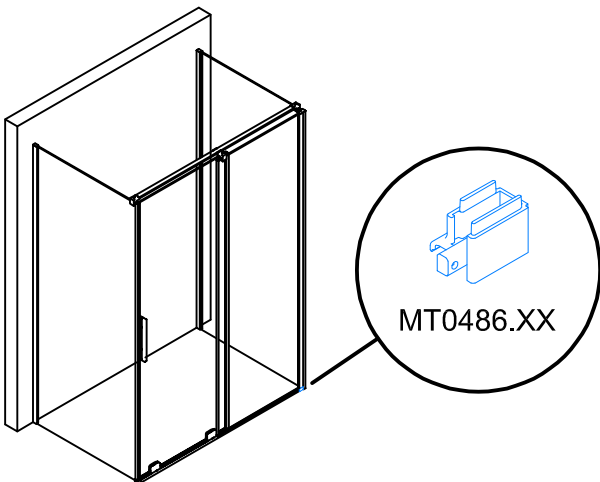
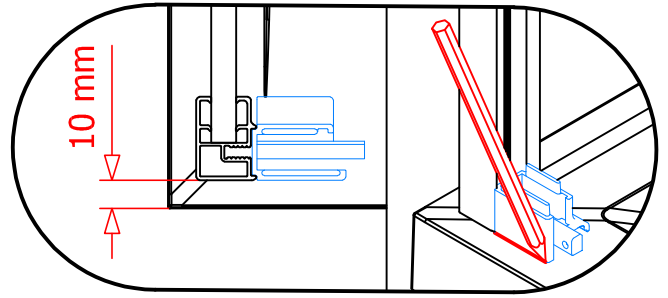
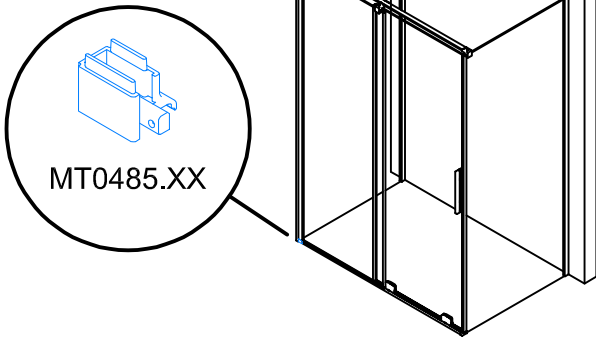
18.1 → 18.2



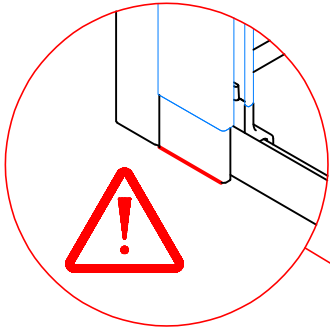
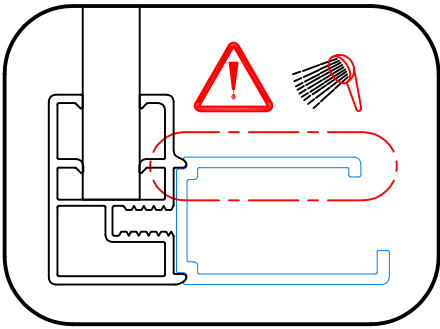
18.2



19.



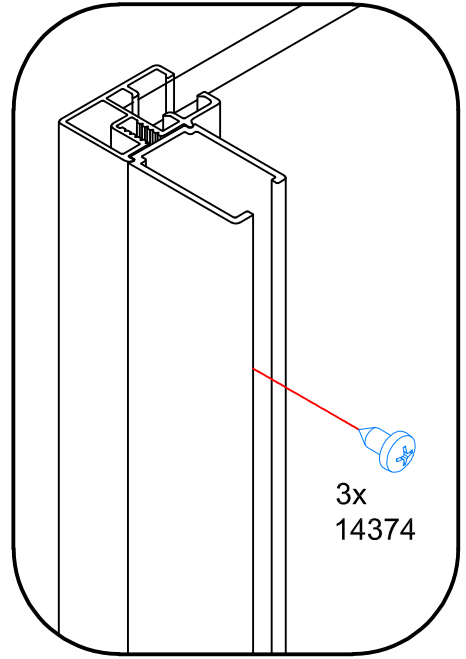
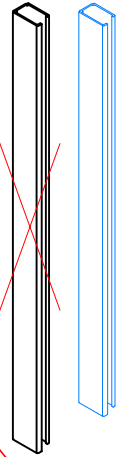
20.



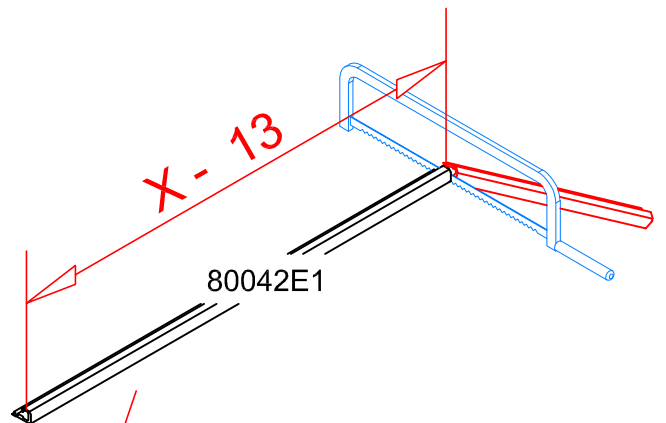
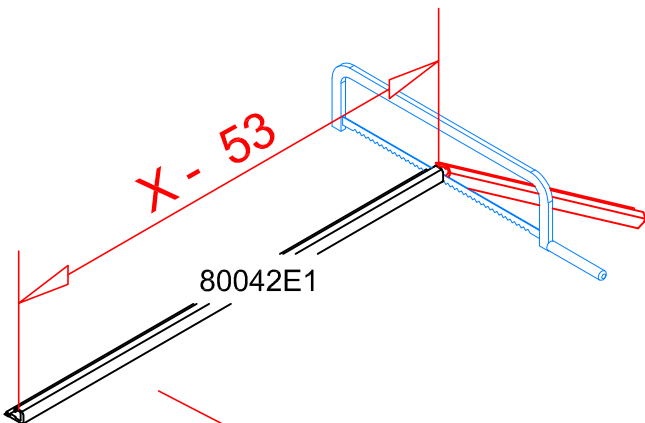
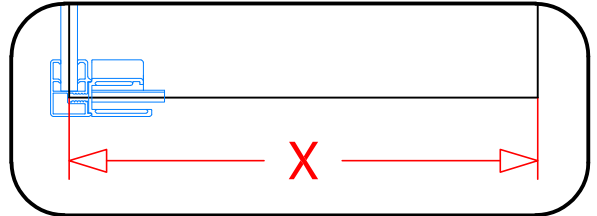
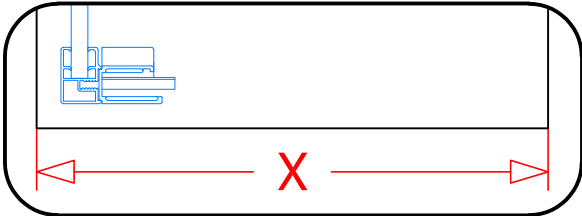
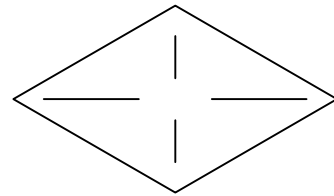
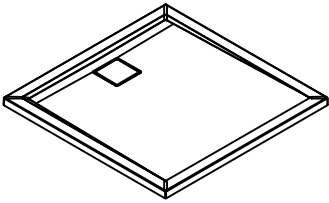
80044F2



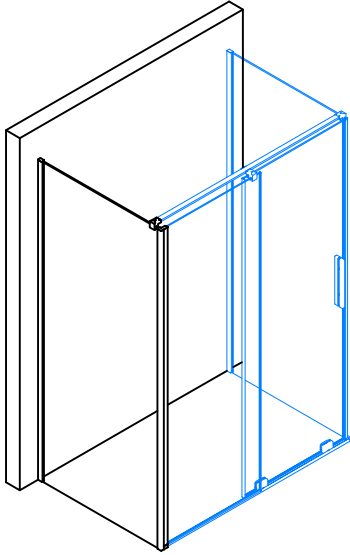
80044



21.



22.



19819

?

19833

23.1 → 23.2

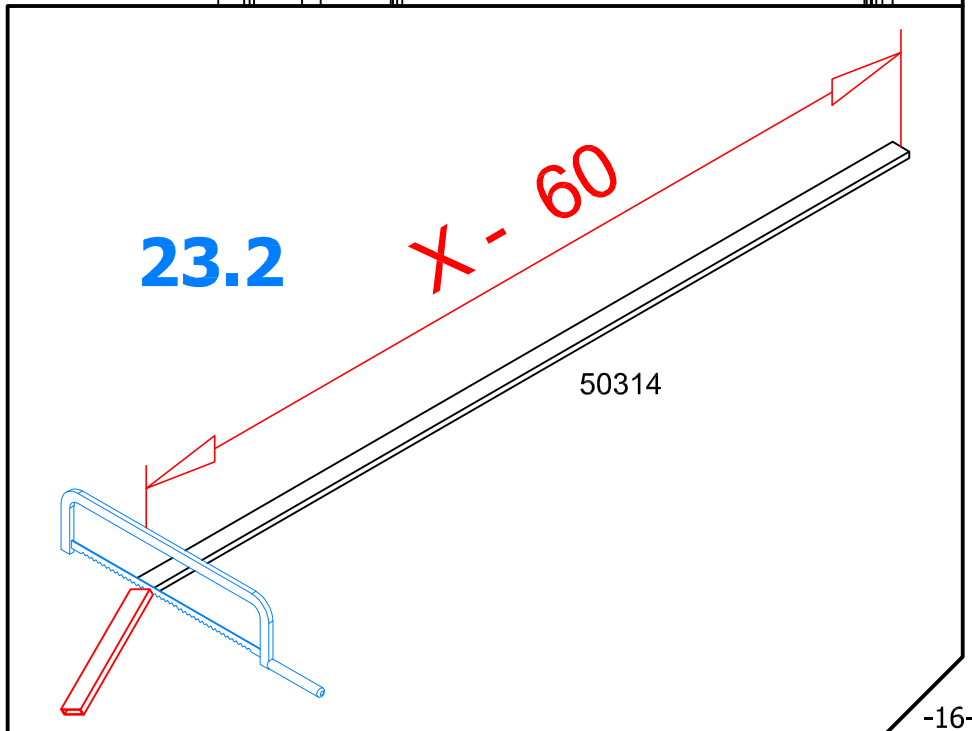
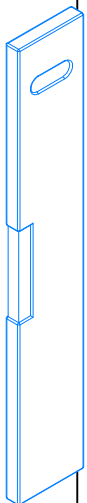
23.1

X

23.2

X - 60

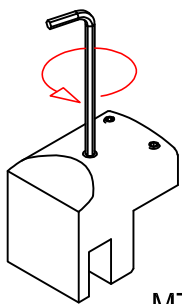
50314



23.3 → 23.6

17159
3mm

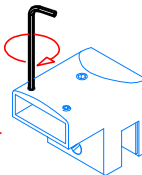
23.3



MT0489.XX

2x

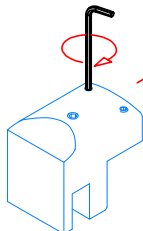
17158
2mm



MT0489.XX

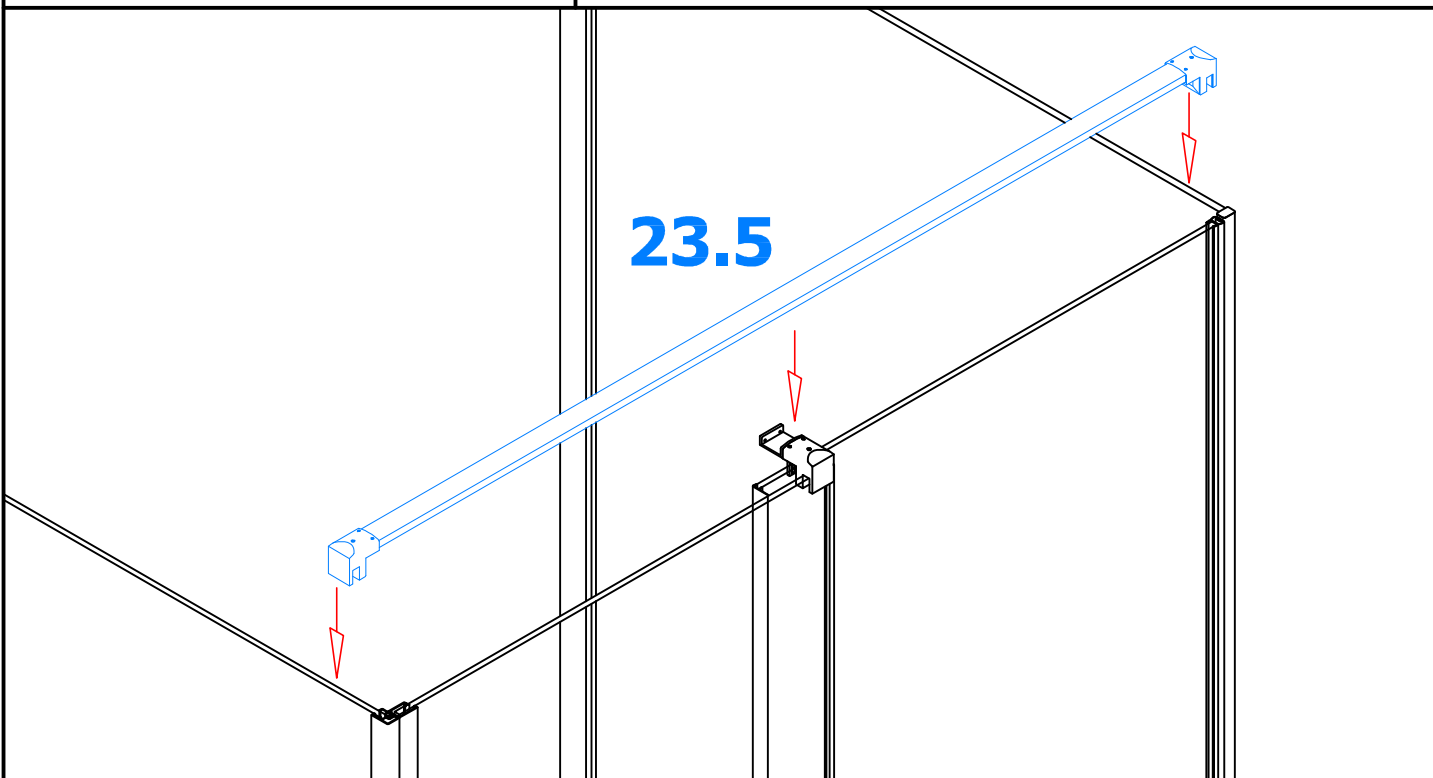
23.4

17158
2mm

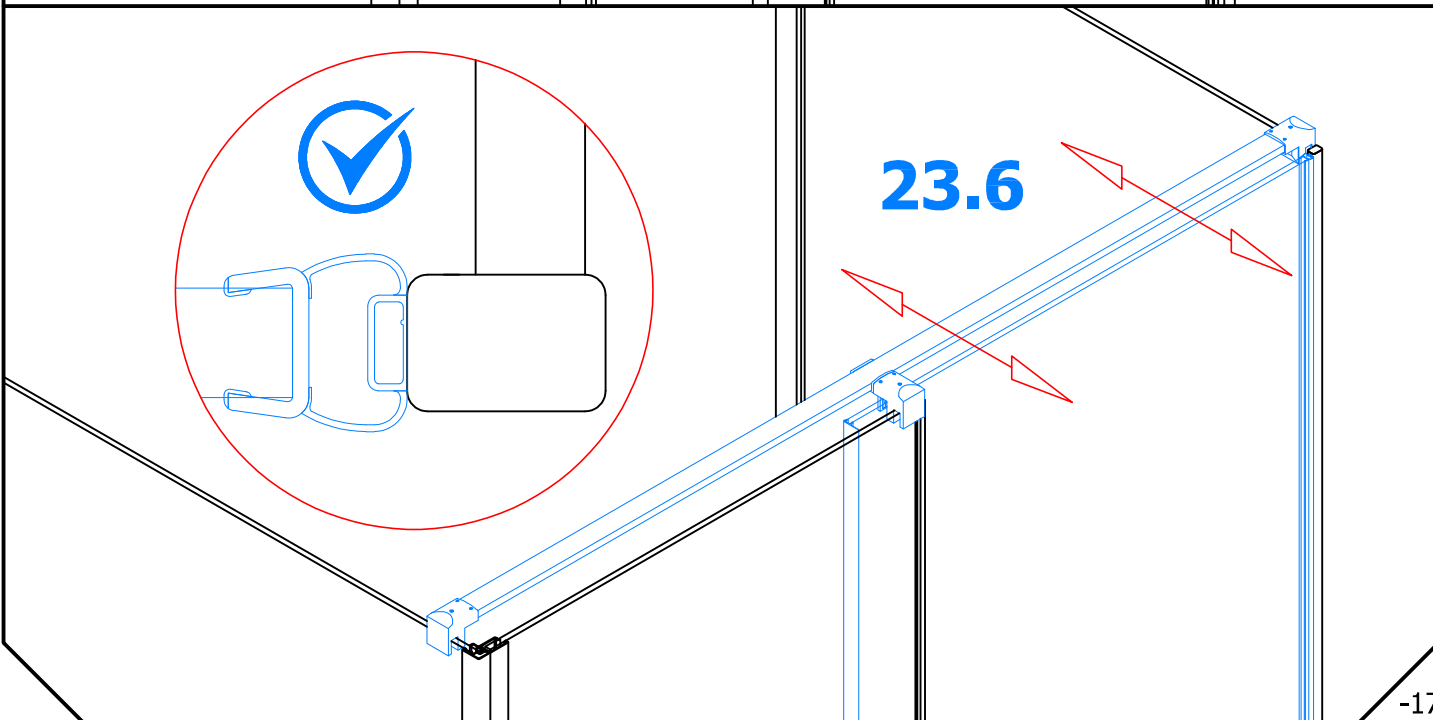


MT0489.XX

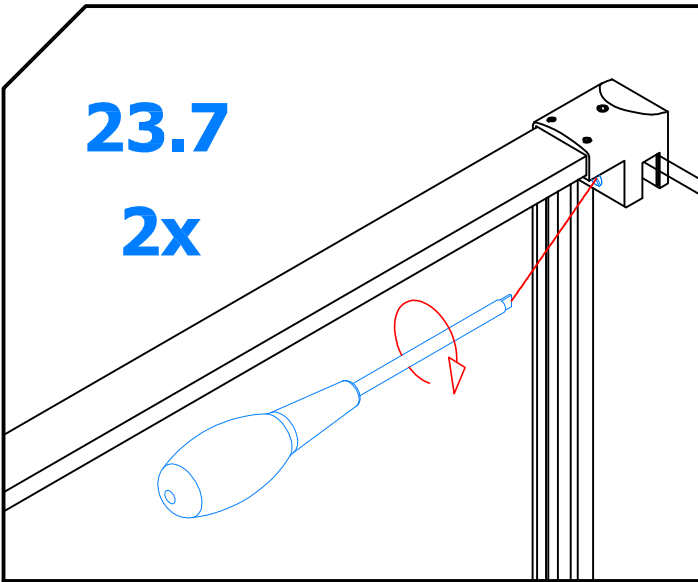
23.5



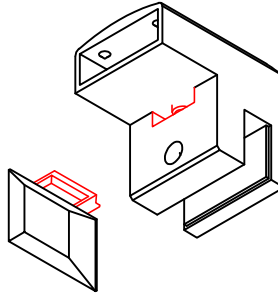
23.6



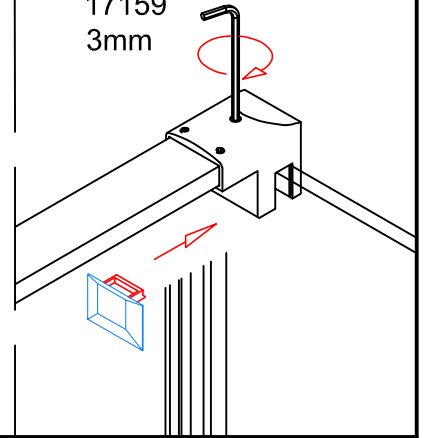
23.7
2x



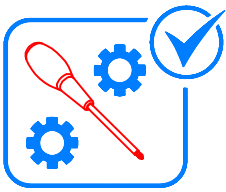
MT0489.XX



17159
3mm



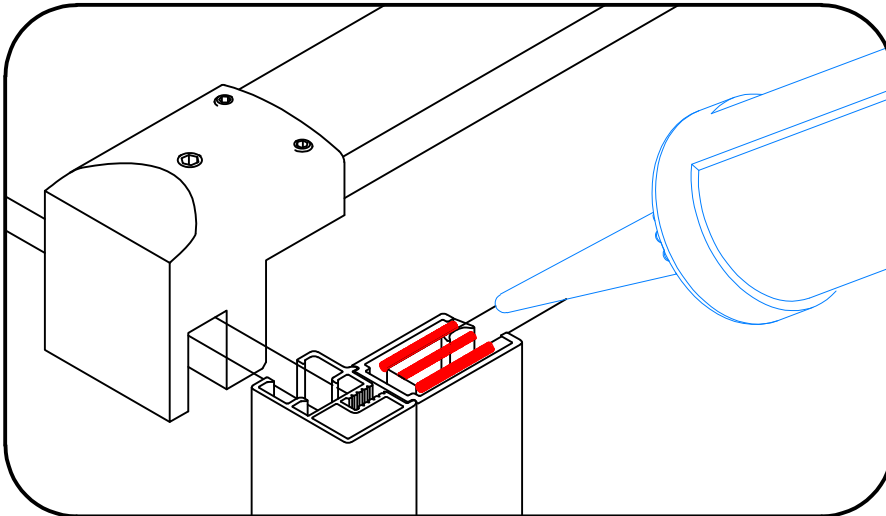
24.



19819
?
19833

P16 → P18

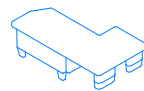
25.



81153.XX



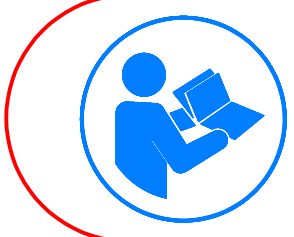
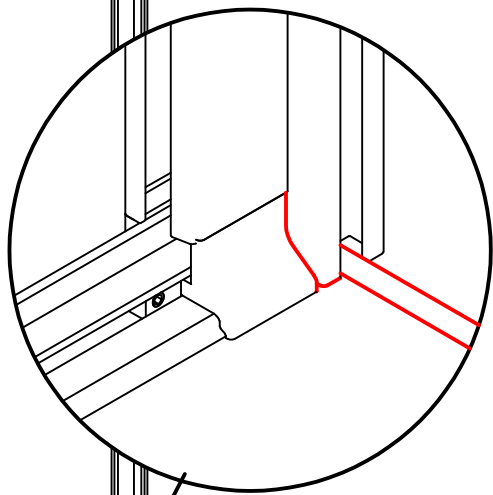
81152.XX



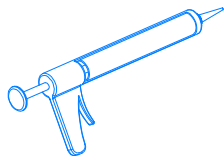
26.



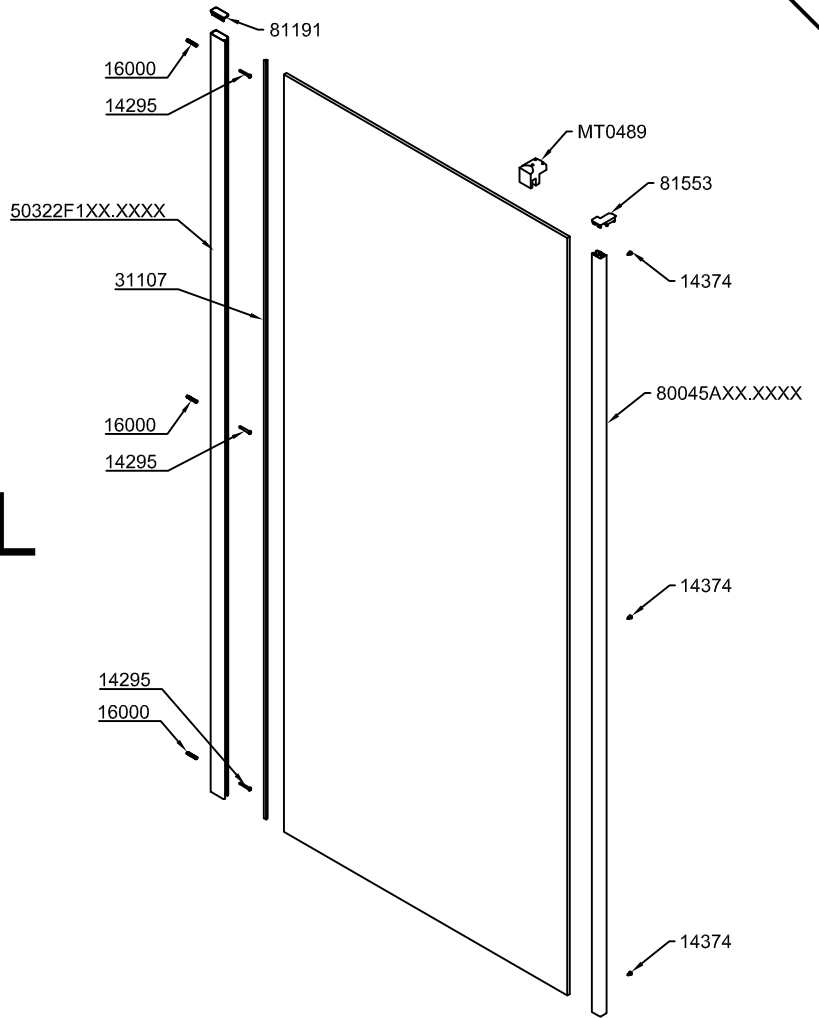
5cm



19819
?
19833



D35F3 L ACD35F3 L



D35F3 R ACD35F3 R

